

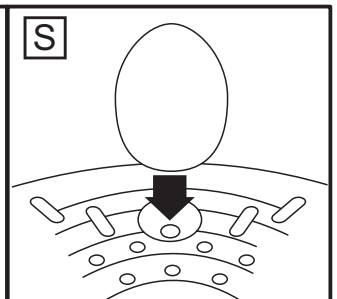
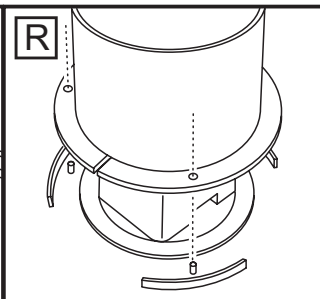
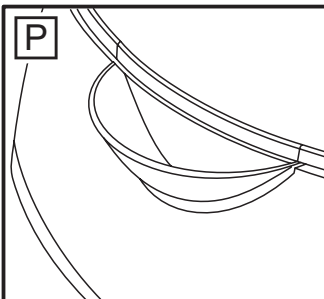
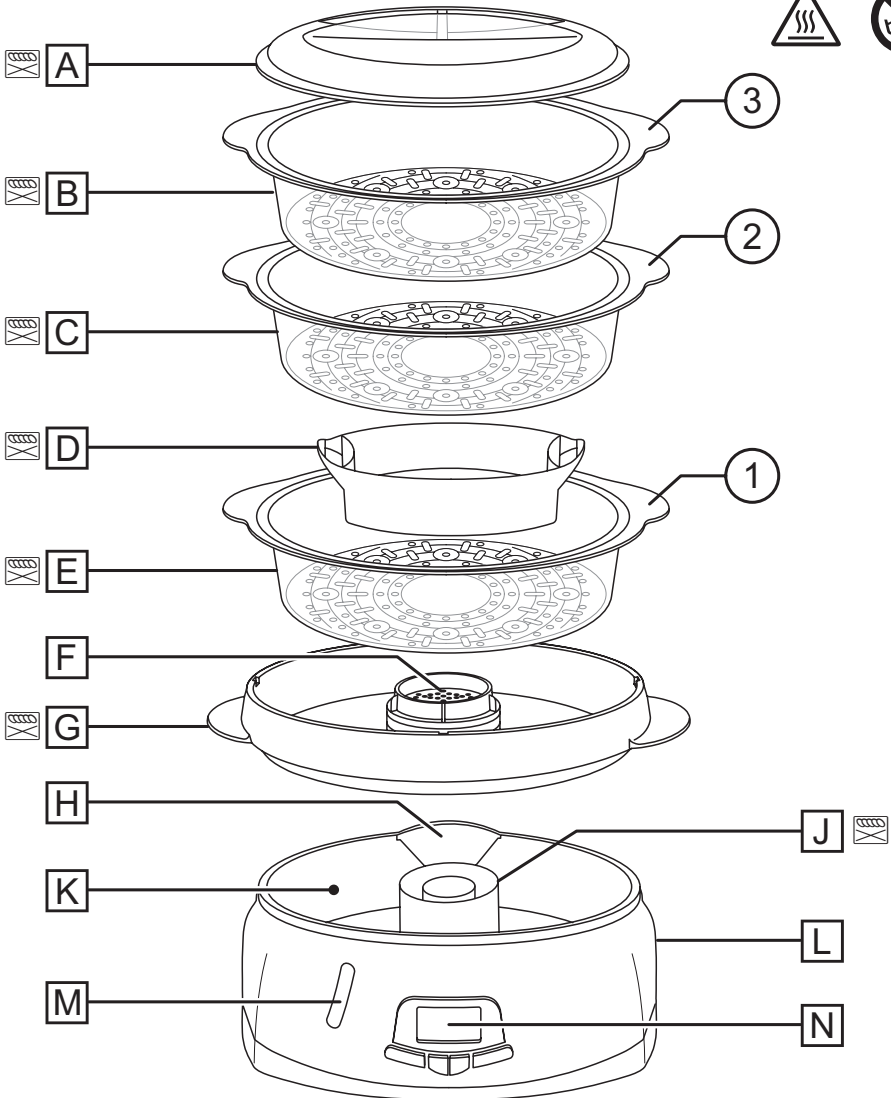


Russell Hobbs



instructions

£10,000 prize draw
EXTRA year guarantee
FREE rewards gallery
www.russellhobbs.co.uk/productregister/
Register online now!
See back for details





Read the instructions, keep them safe, pass them on if you pass the appliance on. Remove all packaging before use.

IMPORTANT SAFEGUARDS

Follow basic safety precautions, including:

This appliance can be used by children aged from 8 years and above and persons with reduced physical, sensory or mental capabilities or lack of experience and knowledge if they have been supervised/instructed and understand the hazards involved. Children shall not play with the appliance. Cleaning and user maintenance shall not be done by children unless they are older than 8 and supervised. Keep the appliance and cable out of reach of children under 8 years. If the cable is damaged, it must be replaced by the manufacturer, its service agent, or someone similarly qualified, to avoid hazard.

 Don't immerse the appliance in liquid.

 The surfaces of the appliance will get hot during use. The heating element surface will remain hot for some time after use.

- Don't put frozen meat or poultry in the appliance – defrost fully before use.
- Cook meat, poultry, and derivatives (mince, burgers, etc.) till the juices run clear. Cook fish till the flesh is opaque throughout.
- Don't reach over the appliance, and keep hands, arms, face, etc. clear of the escaping steam.
- Don't cover the appliance or put anything on top of it.
- Unplug the appliance when not in use.
- Don't use accessories or attachments other than those we supply.
- Don't use the appliance for any purpose other than those described in these instructions.
- Don't use the appliance if it's damaged or malfunctions.

HOUSEHOLD USE ONLY

DIAGRAM

- | | |
|------------------|--|
| A. Lid | H. Water fill inlet |
| B. Number 3 bowl | J. Steam guide |
| C. Number 2 bowl | K. Water reservoir |
| D. Rice basket | L. Base unit |
| E. Number 1 bowl | M. Water level window |
| F. Infuser | N. Control panel |
| G. Drip tray |  Dishwasher safe (top rack) |

BEFORE USING FOR THE FIRST TIME

Wash all removable parts in warm soapy water, rinse and dry.

ASSEMBLY

1. Place your steamer on a flat, level, heat resistant surface. Allow adequate ventilation space on all sides to prevent damage to cabinets, walls, etc.
2. Place the steam guide around the heating element. The three holes in the guide must go over the three pins (Fig R).
3. Position the drip tray securely over the water reservoir.
4. Place the steaming basket(s) on top of the drip tray. The basket handles are labeled 1, 2, and 3. Position basket 1 on the lowest level, 2 on the middle level, and 3 on the top level.
5. Place the lid on top of the uppermost steaming basket.

FILLING

1. Fill the water reservoir with fresh cold tap water. The level should be above the Min and below the Max marks of the water window. Never fill above Max.
 2. You can fill the reservoir directly or through the water fill inlet at the rear (Fig P).
- When topping up the water level during steaming, always use the water fill inlet.

INFUSER

The infuser can be used during steaming to add flavour. Wet the screen slightly then add any of the following ingredients to the screen:

- Herbs and spices (whole or coarsely chopped)
- Garlic cloves (whole or sliced)
- Thin slices of citrus fruits such as lemon or lime

COOKING RICE

1. Add the dry rice and water to the rice bowl in the ratio according to the package directions.
 2. Place the rice bowl into the bottom steaming basket.
 3. Fit the lid on the steaming basket.
 4. Set the timer for 25 - 30 minutes and press the \odot button.
 5. Check that the rice is cooked to your liking. Adjust the steaming times if not.
- When you are using multiple steaming baskets, always cook rice in the lowest basket.
 - Brown rice and wild rice cooking times will differ.

PROGRAMMING YOUR STEAMER

Setting the digital clock

1. Plug in your steamer.
 2. The digital clock will display $00:00$.
 3. Press the **TIME** button once. The hour digits will begin to flash.
 4. Press + or - until the correct hour appears on the display. The clock is set in 24 hour format.
 5. Press the **TIME** button again. The minute digits will begin to flash.
 6. Press + or - until the correct minute appears on the display.
 7. After 20 seconds, the clock's digits will stop flashing to indicate the clock is set.
- If your steamer is unplugged or power to it is interrupted, the time will need to be reset.

Setting the Steaming Time

1. Ensure the water reservoir is filled. Monitor this throughout steaming.
2. Press the **TIME** button repeatedly until the \blacktriangledown on the display screen aligns with the nearest steam time you require.
3. If you need to adjust the time, use the + and - buttons until the display shows the exact time you require.
4. Press the \odot button to begin steaming. The timer will count down in one-minute increments.
5. When steaming is complete, your steamer will beep several times and an arrow \blacktriangledown will appear above the steaming finished icon (\checkmark).
6. The heating element will switch off.

WARNING

Use extreme caution when removing the baskets. Never remove all the baskets together. Remove the baskets one at a time starting with the top one. Use oven mitts or similar to help protect against burns from hot steam.

Suggested steaming times

These foods are best cooked using your steamer from cold. Fill the reservoir with cold water, add the ingredients and set the timer according to the table.

| Food (fresh) | Notes | Time (minutes) |
|-----------------|---|----------------|
| Broccoli | Cut into 1-2 cm florets/pieces | 13-15 |
| Green Beans | Lay flat in the basket | 13-15 |
| Carrots | Slice approx. ½ cm thick | 17-19 |
| Cabbage (savoy) | Shred or cut into pieces | 11-13 |
| Asparagus | Lay flat in the basket | 11-13 |
| Courgettes | Slice approx. ½ cm thick | 9-11 |
| Sprouts | Whole (approx. 2 cm in diameter) | 13-15 |
| Cauliflower | Cut into 1-2 cm florets/pieces | 15-17 |
| Sweetcorn | Whole, on the cob | 17-21 |
| Potatoes | New potatoes or potatoes cut into 1-2 cm pieces | 21-23 |

The following foods should be cooked once steam is being produced by your steamer. Add the ingredients to the basket(s) and cover with the lid but don't put the baskets onto the drip tray until steam is being produced. Once steaming, carefully put the basket(s) with the food inside onto the drip tray using oven gloves or similar and start timing.

| Food (fresh) | Notes | Time (minutes) |
|-------------------|--|--------------------|
| Boiled egg | Soft / Medium / Hard / Well done | 5-6/7-8/9-10/11-12 |
| Poached egg | Place in a ramekin or small dish | 5-6 |
| Chicken breast | Butterfly or dice into 1-2cm pieces | 12-14 |
| Salmon/round fish | Cod, Haddock, etc. | 7-9 |
| Flat white fish | Plaice, Sole, Basa, etc. | 3-4 |
| Steak fish | Tuna, Swordfish, etc. | 7-9 |
| Mussels | Stir half way through cooking | 8-10 |
| King prawns | Remove shells. Steam for 2-3 minutes or until the prawns have cooked all the way through. Stir half way through cooking. | |

Using the Auto Delay Feature

You can delay the start of cooking by using the auto delay feature.

IMPORTANT This function is only recommended for rice and vegetables and should not be used for meat or eggs.

1. Follow steps 1- 4 of **Setting the Steaming Time**
2. Press the + and – buttons simultaneously. An arrow ▼ will appear over the delay cooking icon ⌚ and the hour digit will begin to flash. To exit auto delay, press the + and – buttons simultaneously again.
3. The delay is set in hours and minutes (not by selecting a sepecific time). Press + or - until your desired number of delayed hours/minutes appears on the display.
4. Press the **TIME** button. The minute digits will begin to flash.
5. Press + or - until your desired number of delayed minutes appears on the display.
6. Press the ⏸ button to begin your auto delay.

HINTS, TIPS AND FOOD SAFETY

- Ensure the water level always remain above the Min mark of the water level window.
- The steaming lid should be kept on at all times during steaming.
- To stop steaming at any time, press the ⏸ button .
- Arrange food in a single layer.

- Uniformly cut foods will steam more evenly.
- Stir food halfway through a longer steam cycle for more even steaming.
- Foods that require longer cooking times should be placed in lower steaming baskets.
- Place foods that require gentle steaming or shorter cooking times in higher baskets.
- You'll need to experiment to find the times which suit your favourite foods and food combinations.
- Use the rice bowl to cook any foods that are in a sauce or liquid.
- Poultry or fish juices may drip and transfer flavours. To help prevent this, wrap them in foil.
- Don't use mussels that are open prior to cooking. Steam until the shells open fully, and discard any that aren't open after cooking.
- Cook meat, poultry, etc. until the juices run clear. Cook fish till the flesh is opaque throughout.
- You should cook leaf vegetables as little as possible, to keep them green and crisp. Plunging them into iced water will stop the cooking process.

CARE AND MAINTENANCE

1. Switch off the appliance, unplug it and let it cool.
2. Remove lid, baskets, drip tray, steam guide and rice basket.
3. Empty the water reservoir and wipe with a clean, damp cloth. DO NOT immerse the base unit in water.
4. Wash all removable parts in warm soapy water or in the top rack of the dishwasher.

STORING

1. Switch off the appliance, unplug it and let it cool.
2. For convenience you can nest the baskets inside each other when storing. Put the rice basket inside basket 1. Fit basket 1 inside basket 2 then fit them both inside basket 3.

DE-SCALING YOUR STEAMER

Over time, mineral deposits can affect your steamer's performance. Removing these deposits (or de-scaling) is recommended every 3 months.

1. Make about 1 litre of descaling solution following the manufacturer's instructions. Pour the solution into the water reservoir.
2. Fit the steam guide, drip tray, one steaming basket and the lid.
3. Steam for 25 minutes
4. Unplug the unit and allow it to cool completely.
5. Pour out the descaling solution.
6. Repeat steps 1–4 using water only. Repeat until all traces of descaler have been removed.
7. Wash all removable parts in warm soapy water or on the top rack of the dishwasher.



ENVIRONMENTAL PROTECTION

To avoid environmental and health problems due to hazardous substances in electrical and electronic goods, appliances marked with this symbol mustn't be disposed of with unsorted municipal waste, but recovered, reused, or recycled.

SERVICE

If you ring Customer Service, please have the Model No. to hand, as we won't be able to help you without it. It's on the rating plate (usually underneath the product).

The product isn't user-serviceable. If it's not working, read the instructions, check the plug fuse and main fuse/circuit breaker. If it's still not working, consult your retailer.

If that doesn't solve the problem – ring Customer Service – they may be able to offer technical advice.

If they advise you to return the product to us, pack it carefully, include a note with your name, address, day phone number, and what's wrong. If under guarantee, say where and when purchased, and include proof of purchase (till receipt). Send it to:

Customer Service

Spectrum Brands (UK) Ltd

Fir Street, Failsworth, Manchester M35 0HS

email: support@russellhobbs.com

telephone: 0845 658 9700 (local rate number)

GUARANTEE

Defects affecting product functionality appearing within two years of first retail purchase will be corrected by replacement or repair provided the product is used and maintained in accordance with the instructions. Your statutory rights are not affected. Documentation, packaging, and product specifications may change without notice.



ONLINE

www.russellhobbs.co.uk for more products



REGISTER ONLINE FOR –

 £10,000 prize draw,

 EXTRA year guarantee,

 FREE rewards gallery

Visit www.russellhobbs.co.uk/productregister/

You must register within 28 days of purchase.