

 Russell Hobbs

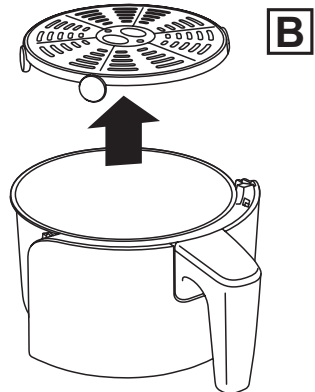
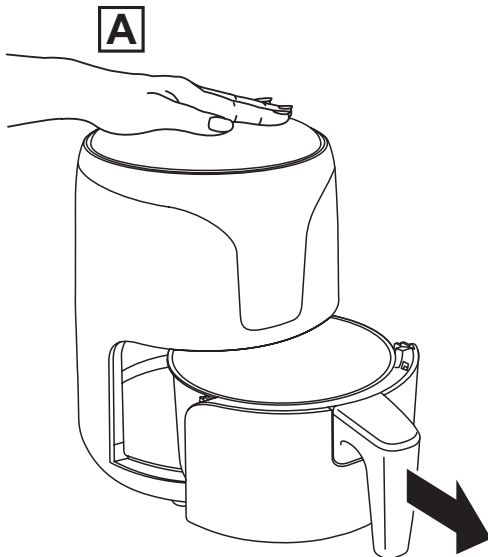
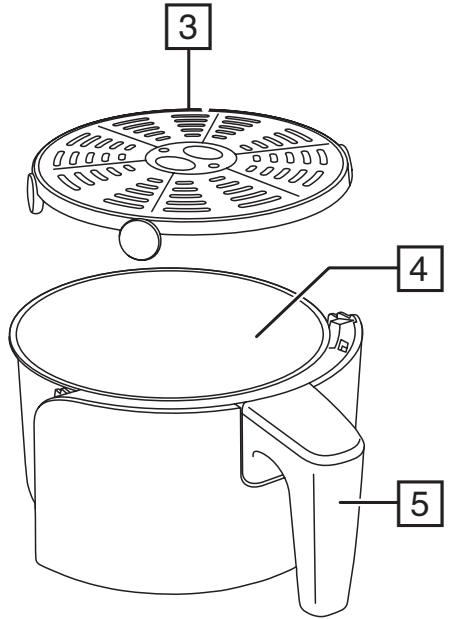
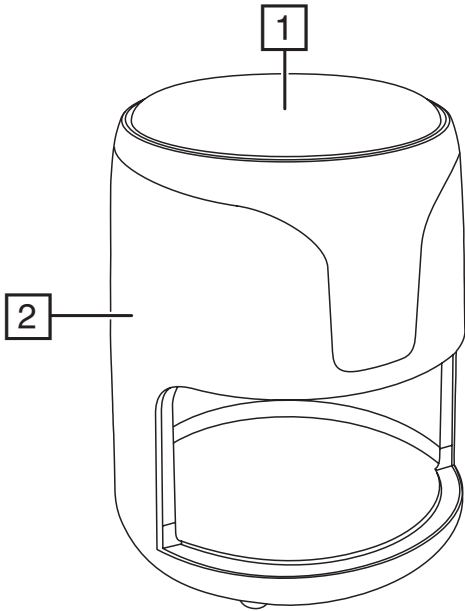


26500

 www.russellhobbs.com

Register online for an EXTRA year guarantee

Visit www.russellhobbs.co.uk/productregister/ You must register within 28 days of purchase



Read the instructions, keep them safe, pass them on if you pass the appliance on. Remove all packaging before use.

IMPORTANT SAFEGUARDS

Follow basic safety precautions, including:

This appliance can be used by children aged from 8 years and above and persons with reduced physical, sensory or mental capabilities or lack of experience and knowledge if they have been supervised/instructed and understand the hazards involved. Children must not play with the appliance. Cleaning and user maintenance must not be done by children unless they are older than 8 and supervised. Keep the appliance and cable out of reach of children under 8 years.

Don't connect the appliance via a timer or remote control system.

Don't use the appliance near or below combustible materials (e.g. curtains).

 The surfaces of the appliance will get hot.

 Do not immerse in any liquid.

If the cable is damaged, return the appliance, to avoid hazard.

- Don't use accessories or attachments other than those we supply.
- Don't use the appliance for any purpose other than those described in these instructions.
- Don't operate the appliance if it's damaged or malfunctions.
- Don't use anything metal or sharp, you'll damage the non-stick surfaces.
- Keep clear of the vent at the rear of the appliance – hot air will come from it.

HOUSEHOLD USE ONLY

PARTS

- | | |
|-------------------------------|-----------|
| 1. Touch controls and display | 4. Basket |
| 2. Body | 5. Handle |
| 3. Crisping plate | |

BEFORE USING FOR THE FIRST TIME

- Handwash the removable parts, rinse, and dry.
- When using your air fryer for the first time, you may notice smoke or a slight odour for the first few minutes of cooking. This is normal. Ensure the room is well ventilated.

PREPARATION

- Sit the appliance on a stable, level, heat-resistant surface.
- Leave a space of at least 50mm all-round the appliance.
- Have oven gloves (or a tea towel) on hand, use heat resistant plastic tongs and a heat-resistant mat or dinner plate to rest the basket on.
- Note: Do not use metal tongs as it may scratch the coating. We recommend using only heat resistant plastic or silicon coated tongs.

To remove the basket from the body

1. Hold the top of the body.
2. Grip the basket handle with the other hand.
3. Slide the basket out of the body (Fig. A).
4. Rest the basket on a heat-resistant mat.

To remove the crisping plate:

1. Remove food from the basket using heat-resistant plastic tongs.
2. Let the basket and crisping plate cool down.
3. Using oven gloves, grip the crisping plate in the centre and pull it out of the basket (Fig B).

DIGITAL TOUCHSCREEN

| ICON | DESCRIPTION |
|------|--|
| | On/Off |
| | Steps through the auto-cooking menu |
| | Auto-cook functions: Fries, Pork, Prawns, Bake, Chicken, Steak, Fish |
| | Used to adjust the cooking temperature in conjunction with the + or - buttons. |
| | Used to adjust the cooking time in conjunction with the + or - buttons. |
| | Increase/decrease |
| | Time/Temperature Display |

AUTO COOK FUNCTIONS

Your air fryer has 7 auto cooking functions and a manual cooking mode. You can adjust the default cooking times and temperatures as desired.

| Function | | Default Cooking Time (mins) | Default Temperature (°C) |
|----------|---|-----------------------------|--------------------------|
| Fries | | 15 | 200 |
| Pork | | 15 | 200 |
| Prawns | | 12 | 160 |
| Bake | | 20 | 160 |
| Chicken | | 20 | 180 |
| Steak | | 10 | 180 |
| Fish | | 15 | 160 |
| Manual | - | 15 | 200 |

MAKING ADJUSTMENTS

1. When first connected to the power outlet, the digital touchscreen icons will all illuminate for several seconds. Following this, only the on/off icon (⏻) will be illuminated.
2. Touch the on/off icon (⏻) to turn on your air fryer. Your air fryer will be in **manual cooking mode** and the default cooking time and temperature (15 minutes, 180°C) will be displayed.
3. You can now select an auto cooking function or use the manual cooking mode.

To select an auto cooking function

1. Tap the menu (☰) icon to step through the cooking modes.
2. Each tap of the menu icon will advance the cooking mode and the icon applicable to that mode will be illuminated.

To select Manual Cooking Mode

1. Tap the menu (☰) icon until none of the auto cooking icons are illuminated.

Adjusting the cooking time or the temperature

1. Once you have selected the desired cooking mode, tap the (⏸) icon and then tap the (+) and (-) icons to increase or decrease the cooking temperature as desired.
2. To adjust the cooking time, tap the (⌚) icon and then tap the (+) and (-) icons to increase or decrease the cooking time as desired.

USING

- Your air fryer uses hot air and radiant heat for cooking.
- Little to no oil is required. If needed, add oil to the food as a coating, don't pour oil into the basket.

Preheating

- We recommend preheating your air fryer for 5 minutes when using the manual mode, or whenever preheating is necessary.
1. Select manual cooking mode if it is not already selected.
 2. Set the cooking time to 5 minutes.
 3. Tap the on/off icon (⏻) to start the preheating cycle.
- Your air fryer will show the cooking time and the temperature alternately.
4. When the cooking time reaches zero, your air fryer will beep 5 times and switch off.

Cooking

1. Place the crisping plate inside the basket.
 2. Place desired food into the cooking basket. Do not overfill the basket, to leave space for the hot air to circulate between pieces of food.
 3. Slide the basket back into the air fryer body, ensuring it clicks into place and sits flush within your air fryer body. Your air fryer will not work unless the basket is properly inserted.
 4. Select the desired cooking settings.
 5. Tap the on/off icon (⏻) to start cooking.
- To stop cooking at any time tap the (⏻) icon.
6. Half way through cooking, remove the basket, shake it, and/or turn the food over, then place the basket back into the body to resume the cooking cycle. This ensures the food is evenly cooked and crispy all over.
 7. Once the cooking time has elapsed, the timer will beep 5 times and the unit will switch off.
 8. Slide the basket out of the body and check that the food is cooked.
 9. Place the basket on an insulated mat.

Notes

- To remove food from the basket, we recommend using tongs. We do not recommend tipping the basket upside down as oil residue will drip out.
- CAUTION: Hot oil from the ingredients may gather at the bottom of the basket. Be careful when removing the crisping plate from the basket.
- Unplug the appliance, once all cooking is complete.
- Your air fryer will switch off when you remove the basket.
- Your air fryer will switch back on when you replace the basket in to the body and will automatically resume the cooking cycle from where it stopped.
- During the last minute of the cooking cycle, '00' will be flashing on the display screen, indicating that there is less than 1 minute of cooking remaining.

MANUAL COOKING TIMES AND FOOD SAFETY

- To be used purely as a guide
- Check food is cooked through before serving. If in doubt, cook it a bit more.
- Cook meat, poultry, and any derivatives (mince, burgers, etc.) till the juices run clear.
- Cook fish till the flesh is opaque throughout.
- When cooking pre-packed foods, follow any guidelines on the package or label.

| Food | Temperature °C | Time (min) | Remarks |
|--------------------------------|-------------------|---------------|--|
| Chips | 200 | 15-20 | Rinse, dry, toss in salt, pepper, and oil |
| Potato wedges | 200 | 15-20 | Rinse, dry, toss in salt, pepper, and oil |
| Sweet potato wedges | 200 | 15-20 | Rinse, dry, toss in salt, pepper, and oil |
| Jacket potato | 180 | 30-40 | For a crispy jacket, brush with oil |
| Roast potatoes | 180 | 25-35 | Rinse, dry, toss in salt, pepper, crushed rosemary (optional) and oil |
| Mixed Mediterranean vegetables | 180 | 6-10 | All cut to similar sizes, approx. 1-2cm pieces, toss in oil and season |
| Chicken Breast | 180 | 15-20 | |
| Chicken Thighs | 180 | 25-30 | Cooking time depends on size. Brush with oil, season |
| Chicken wings | 180 | 23-28 | Cooking time depends on size. brush with oil, season |
| Burgers | 180 | 8-12 | Cooking time depends on size. brush with oil, season |
| Sausages | 180 | 8-12 | |
| Pork chop | 200 | 10-15 | Brush with oil, season |
| Salmon fillet | 180 | 8-12 | Brush with oil, season |
| White fish fillet | 180 | 8-12 | Brush with oil, season |
| Sausage Roll | 200 | 13-15 | Brush with oil, season |
| Spring Roll | 200 | 8-10 | |
| Muffins | 180 | 15-18 | |

| Frozen Food | Temperature °C | Time (min) | Remarks |
|-----------------|-------------------|---------------|---------|
| Chips | 200 | 15-20 | |
| Potato wedges | 200 | 15-20 | |
| French fries | 200 | 12-20 | |
| Chicken Nuggets | 200 | 6-10 | |
| Fish fillets | 200 | 10-12 | |
| Fish Fingers | 180 | 6-10 | |
| Onion Rings | 180 | 10-15 | |
| Scampi | 180 | 10-15 | |
| | | | |

NOTE: High fat foods (e.g. pork) may create smoke. This is normal as oil residue is cooked at a high temperature. Reducing temperature may decrease the effect of smoke.

CARE AND MAINTENANCE

- Unplug the appliance.
- Leave everything to cool down.

Basket and Crisping Plate

1. Once the air-fryer has cooled, remove the basket from the air-fryer body for cleaning.
 2. Wipe the interior of the body to remove any crumb or residue, but DO NOT wipe the heating elements located at the top.
 3. Remove the crisping plate from the basket.
 4. Dispose of food residue and oils, and wipe both the crisping plate and basket with a damp cloth before hand washing them in warm to hot soapy water. Dry thoroughly before placing back in the air fryer body.
- The basket and crisping tray can also be washed in a dishwasher.

Exterior Surfaces

- Clean the exterior with a damp cloth or sponge. Dry thoroughly.

RECYCLING



To avoid environmental and health problems due to hazardous substances, appliances and rechargeable and non-rechargeable batteries marked with one of these symbols must not be disposed of with unsorted municipal waste. Always dispose of electrical and electronic products and, where applicable, rechargeable and non-rechargeable batteries, at an appropriate official recycling/collection point.

SERVICE

If you ring Customer Service, please have the Model Number to hand, as we won't be able to help you without it. It's on the rating plate (usually underneath the product).

The product isn't user-serviceable. If it's not working, read the instructions, check the plug fuse and main fuse/circuit breaker. If it's still not working, consult your retailer.

If that doesn't solve the problem – ring Customer Service – they may be able to offer technical advice.

If they advise you to return the product to us, pack it carefully, include a note with your name, address, day phone number, and what's wrong. If under guarantee, say where and when purchased, and include proof of purchase (till receipt). Send it to:

Customer Service

Spectrum Brands (UK) Ltd

Fir Street, Failsworth, Manchester M35 0HS

email: support@russellhobbs.com

telephone: 0345 658 9700 (local rate number)

Please note: If you have purchased the product within the last 6 months, please contact the retailer in the first instance to deal with any matters relating to warranty.

GUARANTEE

Defects affecting product functionality appearing within the guarantee period will be corrected by replacement or repair at our option provided the product is used and maintained in accordance with the instructions. Your statutory rights are not affected.

This warranty shall not be valid where it is contrary to U.S. and other applicable laws, or where the warranty would be prohibited under any economic sanctions, export control laws, embargos, or other restrictive trade measures enforced by the United States or other applicable jurisdictions. This includes, without limitation, any warranty claims implicating parties from, or otherwise located in, Cuba, Iran, North Korea, Syria and the Crimea region.

Guarantee period = 2 years from first retail purchase.

To claim an extra 1 year guarantee, register your product online within 28 days of purchase. Register at: **uk.russellhobbs.com/product-registration**

Consumables are guaranteed only for their recommended lifecycle. Replacement/Spare parts* are excluded and are only covered by a 1 year warranty.

* Examples include filters, removable grill plates, drip trays/crumb trays etc.

ONLINE

www.russellhobbs.com for more products